

2MP HD IR VF Bullet Network Camera

UNE-IPLB2-DVF-AP1



*Images shown are for illustration purposes only and may not be an exact representation of the product.

FEATURES

- High quality image with 2MP, 1/2.7" CMOS sensor
- 2MP (1920*1080)@30/25fps; 720P (1280*720)@30/25fps
- Advanced H.265, H.265, H.264, MJPEG
- 120dB true WDR technology enables clear image in strong light scene
- Support 9:16 Corridor Mode
- Adaptive IR, up to 50m (164ft) IR distance
- Supports 512 G Micro SD card
- IP67 protection
- Support PoE power supply
- 3-Axis

TECHNICAL SPECIFICATIONS

CAMERA

Sensor	1/2.7", 2.0 megapixel, progressive scan, CMOS
Min. Illumination	Colour: 0.003 lux (F1.6, AGC ON) 0 lux with IR on
Day/Night	IR-cut filter with auto switch (ICR)
Shutter	Auto/Manual, shutter time: 1 ~ 1/100000s
Adjustment Angle	Pan: 0° ~ 360° ; Tilt: 0° ~ 90° ; Rotate: 0° ~ 360°
S/N	>52dB
WDR	>120 dB

LENS

Focal Length	2.8 ~ 12mm
Iris Type	Fixed
Iris	F1.6
Field of View (D)	103.6°~33.4°
Field of View (H)	54.8°~18.7°
Field of View (V)	107.9°~37.8°

ILLUMINATOR

IR Range	Up to 50m (164ft)
Wavelength	850nm
IR On/Off Control	Auto/Manual

DORI

DORI Distance (Lens)	DORI Distance (Detect)	DORI Distance (Observe)	DORI Distance (Recognize)	DORI Distance (Identify)
2.8	43.4(142.5ft)	17.4(57.0ft)	8.7(27.5ft)	4.3(14.3ft)
12	186.2(610.9ft)	74.5(244.4ft)	37.2(122.2ft)	18.6(61.1ft)

VIDEO

Video Compression	Advanced 265, H.265, H.264, MJPEG
H.264 code profile	Baseline profile, Main profile, High profile
Frame Rate	Main Stream: 2MP (1920*1080), Max 30fps; 720P (1280*720), Max 30fps; Sub Stream: 720P (1280*720), Max 30fps; D1 (720*576), Max 30fps; 640*360, Max 30fps;
Video Bit Rate	128 Kbps~6 Mbps
OSD	Up to 4 OSDs
Privacy Mask	Up to 4 areas
ROI	Up to 8 areas
Video Stream	Dual streams

IMAGE

White Balance	Auto, Outdoor, Fine Tune, Sodium Lamp, Locked, Auto2
Digital Noise Reduction	2D/3D DNR
Adaptive IR	Support

IMAGE

Flip	Normal, Flip Vertical, Flip Horizontal, 180°, 90° Clockwise, 90° Anti-clockwise
HLC	Support
BLC	Support
Defog	Digital Defog

EVENTS

Basic Detection	Motion Detection; Smart Motion Detection; Tampering Alarm; Audio Detection; Cross Line (based on Human Body Detection); Intrusion (based on Human Body Detection)
General Function	Watermark, IP Address Filtering, Access Policy, ARP Protection, RTSP Authentication, User Authentication, HTTP Authentication

AUDIO

Audio Compression	G.711U, G.711A
Audio Bitrate	64 Kbps
Two-way Audio	N/A
Suppression	Support
Sampling Rate	8KHZ

STORAGE

Edge Storage	Micro SD, up to 512 GB
Network Storage	ANR, NAS (NFS)

NETWORK

Protocols	IPv4; IGMP; ICMP; ARP; TCP; UDP; DHCP; RTP; RTSP; R TCP; RTMP; DNS; DDNS; NTP; FTP; UPnP; HTTP; HTTP S; SMTP; SSL/TLS; QoS; SNMP
Compatible Integration	ONVIF (Profile S, Profile G, Profile T), API, SDK
User/Host	Up to 32 users. 2 user levels: administrator and common u ser
Security	Password protection, Strong password, HTTPS encryption, Export operation logs, Basic and digest authentication for RTSP, Digest authentication for HTTP, TLS 1.2, WSSE and digest authentication for ONVIF
Client	VIU Station, VIU Cloud, VIU Tools
Web Browser	Plug-in required live view: IE 10 and above, Chrome 45 and above, Firefox 52 and above, Edge 79 and above Plug-in free live view: Chrome 57.0 and above, Firefox 58.0 and above, Edge 16 and above

INTERFACE

Audio I/O	N/A
Alarm I/O	N/A
RS485	N/A
Built-in Mic	Support
Built-in Speaker	N/A
WIFI	N/A

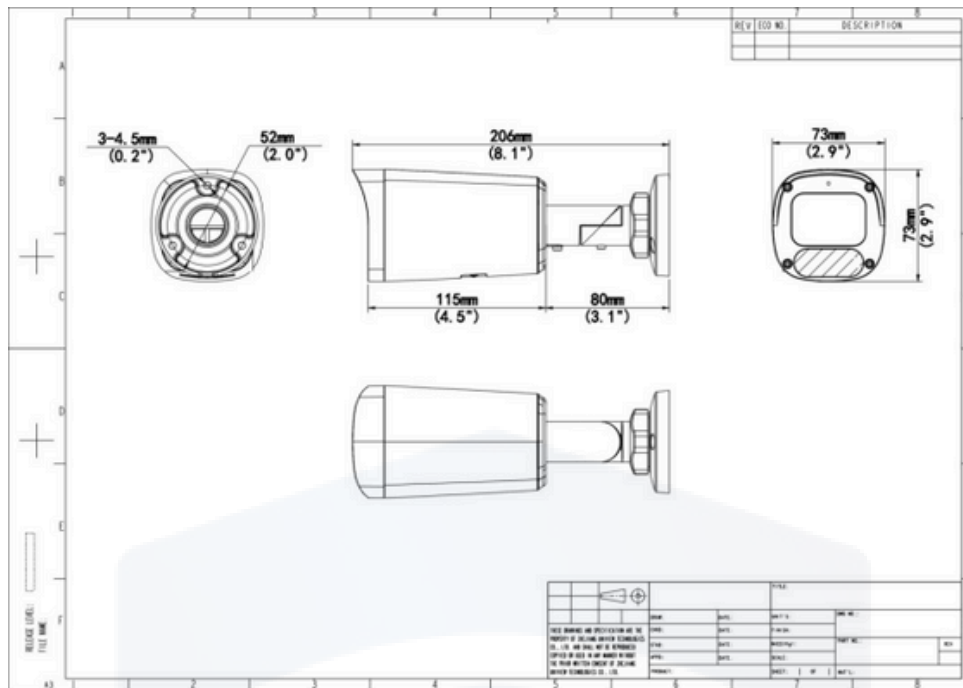
INTERFACE

Network	1 * RJ45 10M/100M Base-TX Ethernet
Video Output	N/A

GENERAL

Power	DC 12V±25%, PoE (IEEE 802.3af) Power consumption: Max 9.6W
Power Interface	Ø 5.5mm coaxial power plug
Dimensions	206 × 73 × 73mm (8.1" × 2.9" × 2.9")
Weight	0.51kg(1.12lb)
Material	Graphene + Metal
Working Environment	-30 °C to 60 °C (-22 °F to 140 °F), Humidity: ≤ 95% RH (non-condensing)
Storage Environment	-30 °C to 60 °C (-22 °F to 140 °F), Humidity: ≤ 95% RH (non-condensing)
Surge Protection	6 KV
Reset Button	Support

DIMENSIONS



UNEEVIU TECHNOLOGIES INDIA PVT LTD

SadguruVilla - 123/128, Gorai, Borivali west, Mumbai MH - 400091 (INDIA)

Email: Support@uneeviu.com

www.uneeviu.com

*Product specifications and availability are subject to change without notice.

*uneeviu shall not be held liable/responsible for any typographical error and reserve right to change the content without prior notice, despite our best effort to make the content error-less