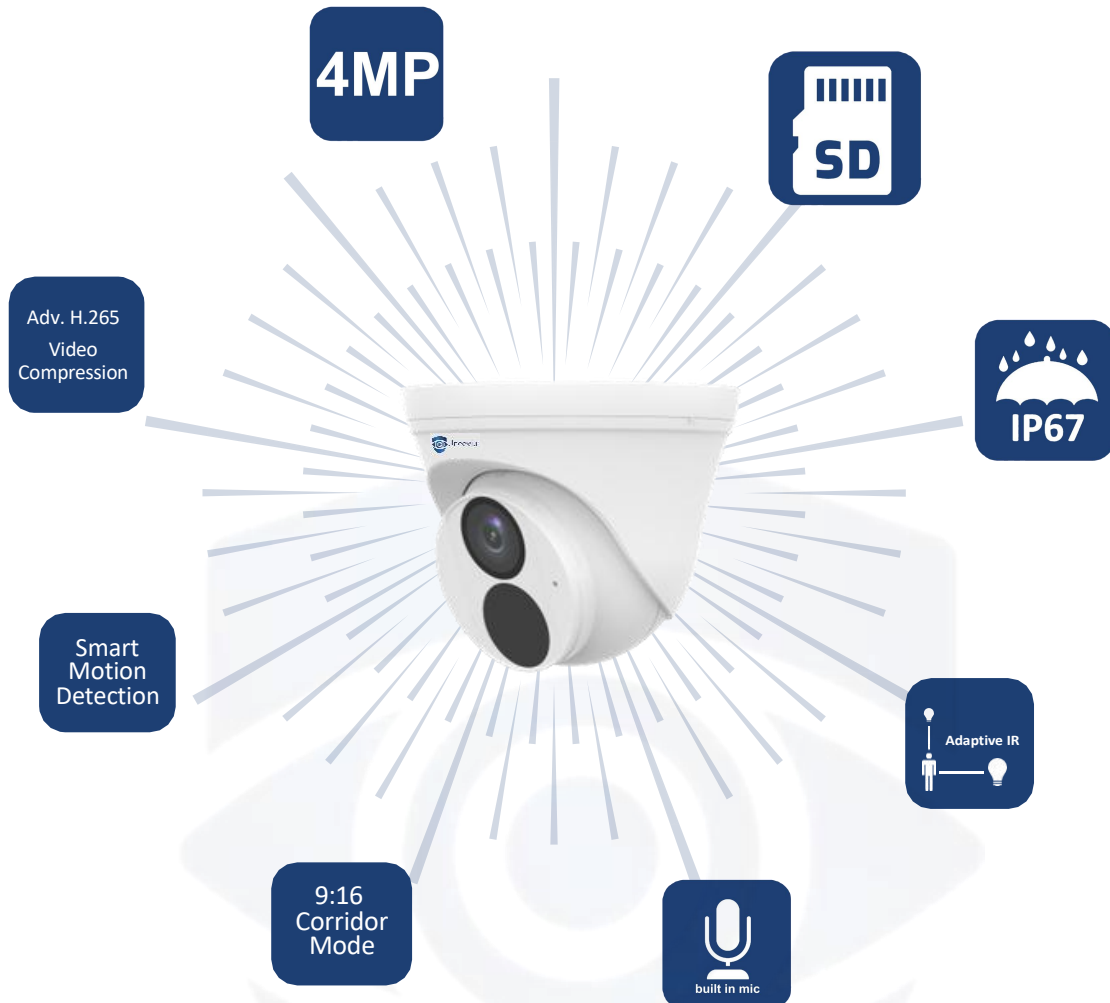


4MP WDR Turret Network Camera

UNE-IPT4-DL28(40)-AKP1-NL



*Images shown are for illustration purposes only and may not be an exact representation of the product.

FEATURES

- High quality image with 4MP, 1/3.0" CMOS sensor
- 4MP (2560 × 1440)@25/20 fps; 3MP (2304 × 1296)@30/25 fps; 2MP (1920 × 1080)@30/25 fps; 720P (1280 × 720)@30/25 fps
- Advance H.265, H.265, H.264, MJPEG
- 120 dB true WDR technology enables clear image in strong light scene
- Support 9:16 Corridor Mode
- Smart IR, up to 30 m (98 ft) IR distance
- Built in Mic
- Supports up to 512 GB Micro SD Card
- IK10 vandal resistant
- IP67 protection
- Support PoE power supply
- 3 Axis

TECHNICAL SPECIFICATIONS

CAMERA

UNE-IPT4-DL28-AKP1-NL

UNE-IPT4-DL40-AKP1-NL

Max Resolution	4 MP	
Sensor	1/3.0" CMOS	
Min. Illumination	Color: 0.01 Lux (F2.0, AGC ON), 0 Lux with IR	
Day/Night	IR-cut filter with auto switch (ICR)	
Shutter	Auto/Manual, 1 ~ 1/100000s	
Adjustment Angle	Pan: 8° to 360°, Tilt: 0° to 68°, Rotate: 10° to	
S/N	>52 dB	
WDR	120 dB	

LENS

Focal Length	2.8 mm	4.0 mm
Iris	F2.0	
Field of View (H)	101.5°	84.1°
Field of View (V)	55.6°	45.1°
Field of View (D)	111.6°	89.5°
Iris Type	Fixed	

DORI

DORI Distance (Lens)	2.8 mm	4 mm
DORI Distance (Detect)	63.0 m (206.7 ft.)	90.0 m (295.3 ft.)

DORI

DORI Distance (Observe)	25.2 m (82.7 ft.)	36.0 m (118.1 ft.)
DORI Distance (Recognize)	12.6 m (41.3 ft.)	18.0 m (59.1 ft.)
DORI Distance (Identify)	6.3 m (20.7 ft.)	9.0 m (29.5 ft.)

ILLUMINATOR

Illumination Distance(IR)	30 m (98.4 ft)
Supplemental Light	IR
Wavelength	850nm
IR On/Off Control	Auto/Manual

VIDEO

Video Compression	Advance H.265, H.265, H.264, MJPEG
H.264 code profile	Baseline profile, Main profile, High profile
Frame Rate	Main Stream: 4 MP (2560 × 1440), max. 25 fps; 3 MP (2304 × 1296), max. 30 fps; 1080P (1920 × 1080), max. 30 fps; 720P (1280 × 720), max. 30 fps; Sub Stream: D1 (720 × 576), max. 30 fps; 640 × 360, max. 30 fps; 2CIF (704 × 288), max. 30 fps; CIF (352 × 288), max. 30 fps
Video Bit Rate	128 Kbps~6144 Kbps
OSD	Up to 4 OSDs
Privacy Mask	Up to 4 areas
ROI	Support
Video stream	Dual streams
Smart-Code	Support

IMAGE

White Balance	Auto, Outdoor, Fine Tune, Sodium Lamp, Locked, Auto2
Digital Noise Reduction	2D/3D DNR
Adaptive IR	Support
Flip	Normal, Flip vertical, Flip horizontal, 180°, 90° Clockwise, 90° Anti-clockwise
HLC	Support
BLC	Support
Dewarping	N/A
Defog	Digital Defog

EVENTS

Basic Detection	Motion detection, Smart motion detection, Tampering alarm, Audio detection, Cross line (based on human body detection), Intrusion (based on human body detection)
General Function	Watermark, IP address filtering, Access policy, ARP protection, RTSP authentication, User authentication

AUDIO

Audio Compression	G.711U, G.711A
Audio Bitrate	64 Kbps
Two-way Audio	N/A
Suppression	Support
Sampling Rate	8 kHz

STORAGE

Edge Storage	MicroSD, up to 512 GB
Network Storage	ANR, NAS (NFS)

NETWORK

Protocols	IPv4, IGMP, ICMP, ARP, TCP, UDP, DHCP, RTP, RTSP, RTCP, RTMP, DNS, DDNS, NTP, FTP, UPnP, HTTP, HTTPS, SMTP, QoS, SSL/TLS, SNMP, IPv6
Compatible Integration	ONVIF (Profile S, Profile G, Profile T), API, SDK
Client	Une-Verse, APP
Web Browser	Plug-in required live view: IE 10+, Chrome 45+, Firefox 52+, Edge 79+, Plug-in free live view: Chrome 57+, Firefox 58+, Edge 16+
Security	Password Protection, Strong Password, HTTPS Encryption, Export Operation Logs, Basic and Digest Authentication for RTSP, Digest Authentication for HTTP, TLS 1.2, WSSE and Digest Authentication for ONVIF
User/Host	Up to 32 users. 3 user levels: administrator, common user and operator

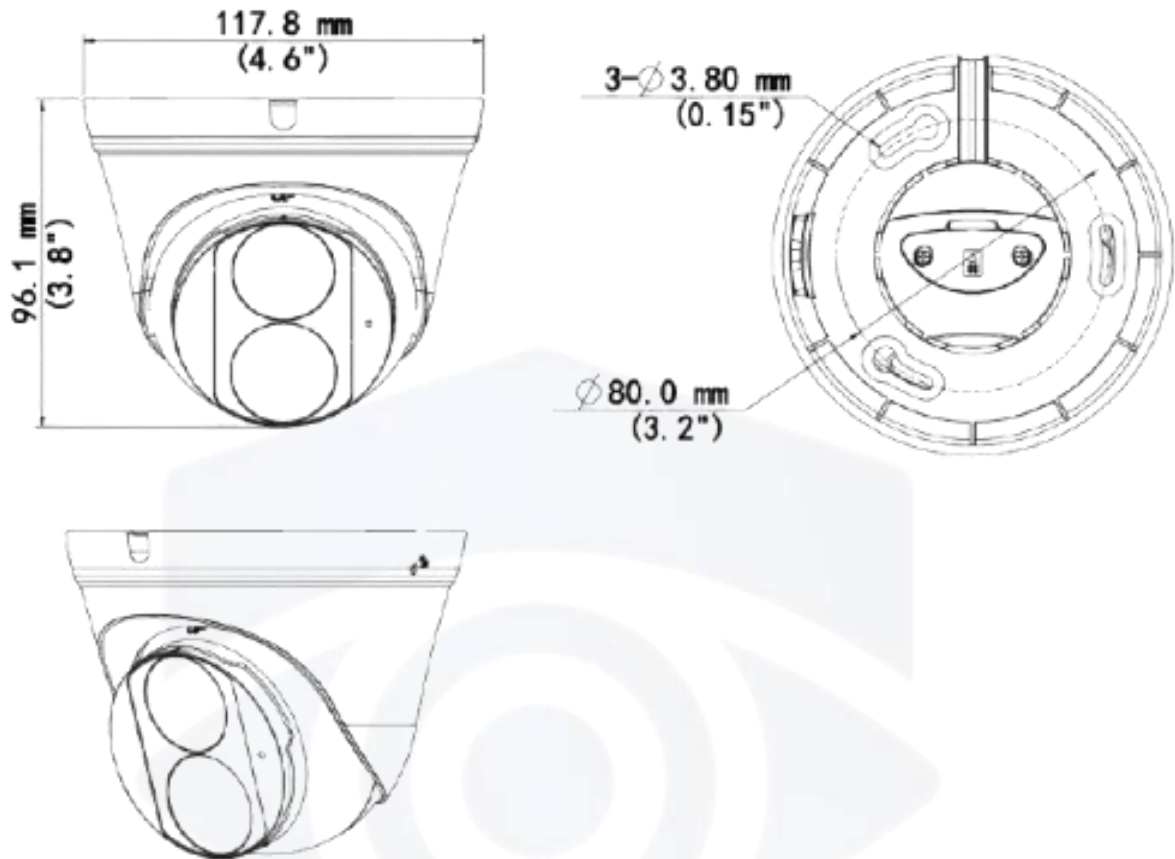
INTERFACE

Audio I/O	N/A
Alarm I/O	N/A
Serial Port	N/A
Built-in Mic	Support
Built-in Speaker	N/A
WIFI	N/A
Network	1 × RJ45 10M/100M Base-TX Ethernet
Video Output	N/A

GENERAL

Power	DC 12 V±25%, PoE (IEEE 802.3af)
Power Consumption	Max. 3.5 W
Power Interface	Ø 5.5mm coaxial power plug
Dimensions	Ø109 mm × 83 mm (Ø4.3" × 3.3") (Ø × H)
Material	Metal + Plastic
Weight	0.34 kg (0.75 lb)
Storage Environment	-40 °C to 70 °C (-40 °F to 158 °F), Humidity: ≤ 95% RH (non-condensing)
Working Environment	-30 °C to 60 °C (-22 °F to 140 °F), Humidity: ≤ 95% RH (non-condensing)
Surge Protection	4 KV
Web Client Language	4 Languages: English, Russian, Spanish, Vietnamese
Reset Button	N/A
Protection	IP67, IK10

DIMENSIONS



UNEEVIU TECHNOLOGIES INDIA PVT LTD

SadguruVilla - 123/128, Gorai, Borivali west, Mumbai MH - 400091 (INDIA)

Email: Support@uneeviu.com

www.uneeviu.com

*Product specifications and availability are subject to change without notice.

*uneeviu shall not be held liable/responsible for any typographical error and reserve right to change the content without prior notice, despite our best effort to make the content error-less